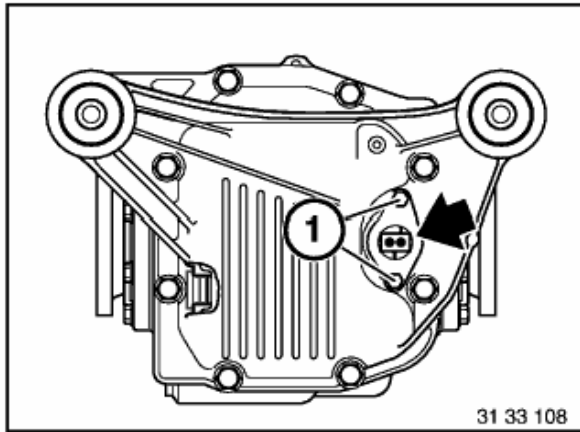
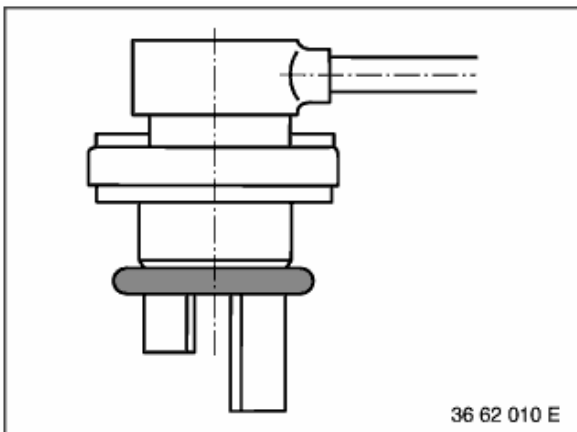


Disconnect plug-in connection at rear axle.



Unfasten screws (1) and remove speedometer-display sensor.



**Installation note:**

Replace O-ring and coat with HLS-90 oil. Slide O-ring onto speedometer-sensor shaft as far as slip phase (A).

Install sensor with O-ring in rear axle and tighten both screws uniformly.